

Portable Rechargeable LED Table Lamps manufacturer, Provide OEM & ODM services.

**Best - Selling
in Europe and America**

ANORA
— Lighting —



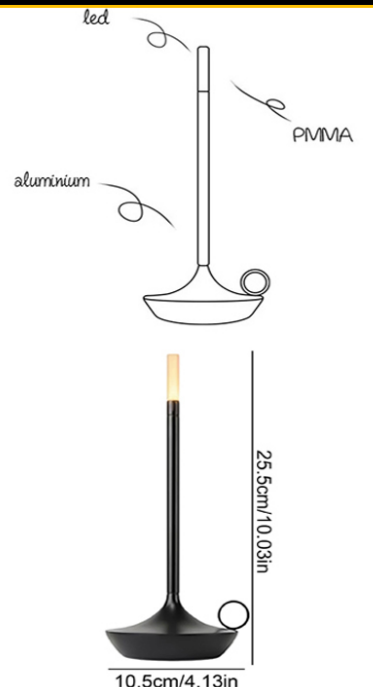
AD1813

Power: 2W
Voltage: 5V, 2A
CCT: Warm White
CRI: Ra≥90
Dimming: 1 light color, 3 Brightness
Switch mode: touch switch
Size: Φ10.5*H25.5cm
Size: Φ4.13*H10.03in
Light Efficiency: 80-85lm/w

Material: Aluminum + acrylic
Light body color: Gold / Silver / Rose Gold / Black / White
Charging mode: Type C USB
Battery capacity: 2600mAh
Lighting time: 8-10 hours
Color box: 12.5*12.5*29.2cm
PCS /CTN: 20pcs / ctn
Carton size: 64.5*52*32cm

Switch press control
Three colors of light change at will

Applicable to various scenarios
Portable type



Anora Lighting (Foshan) Co.,Ltd.

Contact: Nova, E-mail: nova@anoralighting.com

Contact: Rita, E-mail: rita@anoralighting.com

ADD: No.18, Xingye 4th Road, Chencun Town, Foshan City, Guangdong, CHINA

ANORA
— Lighting —